

Carver / Charisma



Technical Information 2015

Concorde
REISEMOBILE AUS LEIDENSCHAFT

Standard equipment

CHASSIS

	IVECO Daily 65C17	IVECO Eurocargo 75E19	MAN TGL 8.220	MB Atego 923 L
Insulated, sound proofed engine compartment cover	•	•	•	•
Turbo-Diesel engine with rear wheel drive and twin tyres	•	•	•	•
Electronically regulated common rail direct injection	•	•	-	-
6 speed transmission	•	•	-	-
Automated 6 speed transmission (on MB: 6 cylinder engine with 8 speed automatic transmission) (on MAN: 6 cylinder engine with 12 speed automatic transmission)	option	option	•	•
Traction control system (TCS)	•	•	•	•
Air suspension on the rear axle with the function of "lifting and lowering"	option	•	•	•
Air suspension on the front and rear axle with the function of "lifting and lowering"	option	-	-	-
Tyres	225 / 75R16	225 / 75R17.5	235 / 75R17.5	235 / 75R17.5
Rear axle tyres with traction profile (M+S)	•	•	•	•
Disk brakes on the front and rear axle	•	•	•	•
Hydraulic braking system	•	-	-	-
Hydraulic pneumatic braking system	-	•	-	-
Pneumatic braking system	-	-	•	•
Electronically regulated anti-lock braking system (ABS)	•	•	•	•
Engine braking	-	•	•	•
Cruise control	•	•	•	•
Full size spare wheel under the rear chassis	•	•	•	•
3 phase alternator 14 V / 140 A or 28 V / 70 A	•	•	-	-
3 phase alternator 28 V / 80 A	-	-	•	-
3 phase alternator 28 V / 150 A	-	-	-	•
Additional 3 phase alternator 14 V / 80 A for charging the battery whilst driving	-	-	•	-
Fuel tank capacity	90 l	200 l	180 l	180 l
Driver's cab air conditioning (MAN with automatic control)	•	•	•	•

Standard equipment

CHASSIS

	IVECO Daily 65C17	IVECO Eurocargo 75E19	MAN TGL 8.220	MB Atego 923 L
LED daytime running lights	•	•	•	•
Halogen headlamps with lens optic, full beam integrated into the bumper	•	•	•	•
Rear LED taillights	•	•	•	•
Concorde exclusive individual dashboard, incl. storage	•	•	•	•
Dashboard cover in faux leather upholstery with quilted seam	•	•	•	•
Adjustable steering wheel in "rake and reach" (in Iveco Daily only height is adjustable)	•	•	•	•
Hazard warning triangle, first aid kit, warning lights and wheel chock	•	•	•	•
Hubcaps in stainless steel	-	•	-	-

Standard equipment

BODY

	CARVER	CHARISMA
Panoramic laminated windscreen with a metal coating which filters UV rays and reduces solar radiation, heated windscreen	option	•
Side Windows of tempered glass, sliding with double glazing in the cab, tinted with shade blind (also to use as sun shield while driving) and fly screen, frame with thermal break	•	•
Tinted double-glazed acrylic windows in the living room, lift or slide opening, with shade blind and fly screen	•	•
Integrated front step for windscreen cleaning in front bumper	•	•
Front bumper as an additional crash element for enhanced passive safety of the occupants	•	•
Central towing in front bumper, in crash element integrated (additional towing bracket not needed)	•	•
Electrical operated, partially heated, insulating shutters for windshield	•	•
Highly stable durable aluminium composite construction "Solidtherm"	•	•
Thermal-bridge-free, fully insulated wall-joint technology using high-density solid PU profiles	•	•
Completely insulated driver's cab	•	•
Radiator between insulated shutter and windscreen	•	•
40mm wall thickness, of this 38 mm closed cell RTM hard foam	•	•
Walls, roof and floors internally and externally in high-quality sandwich design aluminium	•	•
Side walls in sheet smooth, white stove-enameled	•	•
Fully accessible roof	•	•
Aluminium roof moulding with rain water channels to reduce staining of side walls	•	•
Front mask made from highly stable corrosion resistant fiberglass composite material	•	•
Side skirting panel made from highly stable corrosion and rot resistant fiberglass composite material	•	•
Rear wall and bumper in a fiberglass sandwich with a polyurethane foam core	•	•
Heated double floor with approx. 470 mm (Charisma only on Daily, MAN, MB Atego) accessible through external side flaps	•	•
Heated double floor with approx. 350 mm (only on Iveco Eurocargo) accessible through the side flaps	–	•

Standard equipment

BODY

	CARVER	CHARISMA
Heavy duty rollers mounted on rear chassis	•	•
Storage space flaps with die-cast aluminium hinges and easy-care, high-quality needled felting on the inside, frames thermally separated	•	•
Sandwich under and in-between floor with 40 mm or 30 mm thick RTM foam respectively, total floor insulation 70 mm	•	•
Rear-axle wheel arches, fully in insulated sandwich construction	•	•
Illuminated rear garage with garage doors left and right (not Charisma 920 G) and lashing system	•	•
Illuminated internal entry step, heated	•	•
External, electronic retractable entrance step with safety circuit breaker and lighting	•	•
"Security" entrance door with radio remote control and key operated emergency switch	•	-
"Security Plus" entrance door with number combination security lock and key operated emergency switch, door security "Interstop"	option	•
Fly screen for entrance door	•	•
Outdoor lamp with security switch (automatically switches off when the engine starts)	•	•
Pilot seats with integrated seat belt system and arm rests	•	•
Large slide out shoe compartment in the entrance area	•	•
Rear garage floor with aluminium checker plate	•	•
Coach style wiper system	•	•
Coach exterior side mirrors (short) wide-angle, electronically heated and adjustable	•	-
Coach exterior side mirrors (long) wide-angle, electronically heated and adjustable	option	•

Standard equipment

LIVING ROOM / BEDROOM AREA

CARVER

CHARISMA

	CARVER	CHARISMA
Furniture flaps and doors:		
• European Wenge (both sides veneered)	-	•
• Argento Oliva (coating on both sides)	•	-
One Level living space floor from the dashboard through to the rear bed	•	•
Colour coordinated, high-quality textile coverings for walls and ceiling	•	•
Commercial floor covering Soft-walk. Colour: antia anthrancite	•	•
Living room suite ergonomically formed high-quality textile / microfibre upholstery with zips incl. driver's cab seat	•	•
High-quality roman blinds	•	•
Lounge sofa with seatbelts	•	•
Interior lighting in wardrobe	•	•
Rear bed with bed base, adjustable head section and comfortable cold foam mattress	option	•
Lighting surround for Midi-Heki skylight, fly-screen and pleated shade in living room	•	-
Double glazed panoramic skylight, fly-screen and pleated shade in living room	option	•
Mini-Heki with fly-screen and pleated shade in bedroom area	•	•
High-quality living room table	•	•
TV sideboard in entrance area	•	•
Entrance cabinet incl. a collection of glasses and LED lighting	•	•
Light canopies with LED spotlights and indirect lighting (only on Charisma)	•	•
Robust metal entrance handle for boarding assistance	•	•
1 x 12 V socket (living room) and 3 x 230 V sockets (1 x living room and 2 x bedroom area)	•	•
Wrap round front wall cabinets above windscreen (not with drop down bed option)	•	•

Standard equipment

PULL DOWN BED (OPTIONAL)

	CARVER	CHARISMA
Bed size(in mm)	2000 x 1350	2000 x 1350
Height above bed (in mm)	860	860
Comfortable cold foam mattress with bed base	•	•
Mini-Heki with fly-screen and pleated shade	•	•
Driver's cab curtains	•	•

KITCHEN

Kitchen area with splashguard	•	•
Mineral kitchen worktop with stainless steel sink. Colour: brilliant white	•	•
Stainless steel three flame hob with automatic ignition and glass cover	•	•
Chrome optic single lever mixer tap with pullout multi function shower head	•	•
160 L refrigerator with separate freezer box, AES (automatic energy selection 12 V / 230 V / gas)	•	•
Drawers with Servo-Soft closing	•	•
Integrated cutlery drawer	•	•
Lighted canopies with LED spotlights and indirect lighting (only on Charisma)	•	•
LED spotlights under the wall cupboards	•	•
Integrated waste bin system in lower kitchen cupboard	•	•
2 x 230 V socket	•	•
Pull out cupboard (depends on the model) for kitchen utensils storage	-	•

Standard equipment

BATHROOM / TOILET

	CARVER	CHARISMA
High-quality chrome optic bathroom fittings on washstand	-	•
Plexicor bathroom worktop with a seamless integrated moulded washbasin. Color: arctic white	•	-
Plexicor bathroom worktop with a seamless integrated moulded washbasin. Color: marble white	-	•
Washstand with single lever chrome optic mixer tap	•	-
Separate shower with acrylic-glass doors (in standard bathrom) and real glass doors (in premium bathroom) incl. removable clothes rail	•	•
Shower fittings with wall mounting and height adjustable shower head	•	•
Cassette toilet with porcelain bowl	•	-
Porcelain toilet with approx. 230 l fixed tank (approx. 160 l in Charisma 920 G)	option	•
Bathroom fittings with toilet paper holder, toilet brush, soap dispenser, hand towel hooks and holder, toothbrush glass	•	•
Bathroom window	-	•
Mini-Heki with fly-screen and pleated shade	•	•
Lightning with LED spotlights	•	•
Wardrobe with interior lighting, twin wardrobe in Charisma	•	•
Full length mirror	•	•
Spacious mirrored cabinet with shelves	•	•
1 x 230 V socket	•	•

Standard equipment

WATER / GAS / HEATING

	CARVER	CHARISMA
Central drainage point for waste water and septic tank	-	•
Gas bottle compartment for 2 x 11 kg gas bottles	•	•
Gas controller "Duocontrol" with crash sensor and automatic bottle change over valve	•	•
Sink siphon	•	•
Fresh- and wastewater tank, each approx. 230 l situated in heated double floor	•	-
Freshwater tank approx. 380 l and wastewater tank approx. 310 l (except Charisma 920 G: waste water tank approx. 290 l)	-	•
Convenient waste water tank emptying with drain cock in the heated double floor	•	•
External cleaning opening on all tanks, accessible from underneath the living area	•	•
Cleaning port with a click-fit system for convenient cleaning of the septic tank (gravity fed)	-	•
High pressure cleaning nozzle for cleaning the toilet waste tank in addition to the fixed tank's cleaning port	-	•
Wastewater drainage hose with quick release fixing and cover cap	•	•
Automatically functioning central water-pressure pump with filter system	•	•
Alde hot water-gas-central heating 5500 W with a thermostat and timer, electrical heating cartridge 230 V / 3000 W backflow lock with integrated hot water boiler to maintain all tapping points		• •
Heating loop for bedroom area / garage temperature adjustable	option	•
2 zoned under floor heating, individually adjustable (living room, bathroom)	option	•
2 zoned interior heating, separately adjustable (1 x living room and bathroom, 1 x bedroom area)	-	•
Heated towel rack in bathroom with thermostat controller	•	•
Engine heat exchanger (uses the motor's cooling water to heat the living area)	option	•

Standard equipment

ELECTRICAL / TV / RADIO

CARVER

CHARISMA

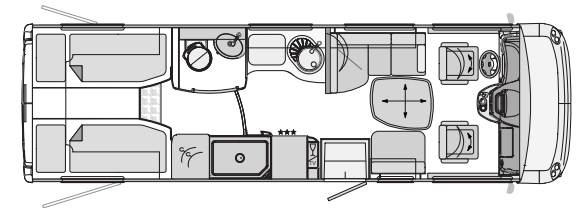
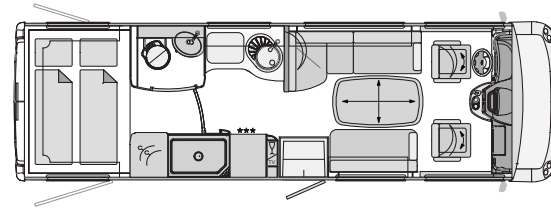
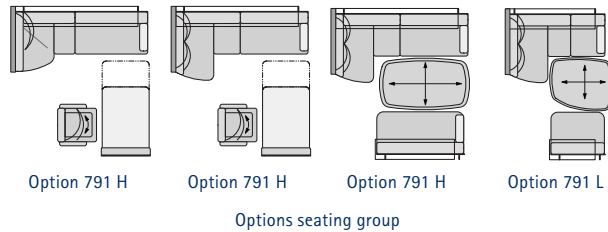
	CARVER	CHARISMA
Gel battery 1 x 170 Ah (not Charisma 920 G)	•	•
Gel battery 2 x 140 Ah (only Charisma 920 G)	-	•
Battery monitoring system with protection against excess discharge	•	•
230 Volt CEE connection in storage space with cable routing through the vehicles's floor	•	•
RCD automatic personal protection	•	•
Automatic charging with electronic control and battery temperature sensor, maximal charge current 25 A	•	•
Inverter from 12 V to 230 V sinus 350 W with mains priority circuit	•	•
Disconnection of the electrical system by under-voltage with automatic restarting function	•	•
1 x 230 V socket at the electronic center	•	•
Double DIN radio CD/DVD and MP3 and USB ports	•	•
Speaker 2 way system	•	-
Speaker 3 way system	-	•
LED lighting in interior	•	•
Service friendly access to on-board electronics with perforated plate housing (not G-model) in the rear garage (G-model exterior right storage compartment)	•	•
Refrigerator automatic changeover (when engine is terminated) from 12 V to gas (15 Min Delay after engine stops) / 230 V (land connection)	•	•
Automatic charging of the living room and vehicle's battery, charge is maintained by vehicle alternator as well as while driving	•	•
Circuit breaker for habitation batteries	•	•
Automatic disconnection and connection of leisure and vehicle batteries	•	•

Standard equipment

ON-BOARD ELECTRONICS

	CARVER	CHARISMA
Highly modern microprocessor-controlled electrical system with BUS-technology (Binary Unit System)	•	•
Centralized control panel with 7" touchscreen colour-display	•	•
Select buttons for turning on and off the following devices:		
• Panel	•	•
• Lighting	•	•
• Water pump	•	•
• Heating	•	•
LCD display for monitoring:		
• Fresh water tank (fill level in %)	•	•
• Waste water tank (fill level in %)	•	•
• Septic tank (fill level in %)	•	•
• Battery voltage of the vehicle and living room battery	•	•
• Outdoor and indoor temperature	•	•
• External power supply	•	•
• Gas fill level (only in connection with gas tank)	•	•
• Battery parallel circuit	•	•
• Date and time with alarm function	•	•
Alarm equipment for:		
• Waste water tank full	•	•
• Fresh water tank empty	•	•
• Septic tank full	option	•
• Battery under voltage	•	•
• Reserve gas bottle in use	•	•
• Extended step	•	•
Battery computer:		
• Leisure battery capacity indicator	•	•
• Charge and discharge current	•	•

Technical specifications



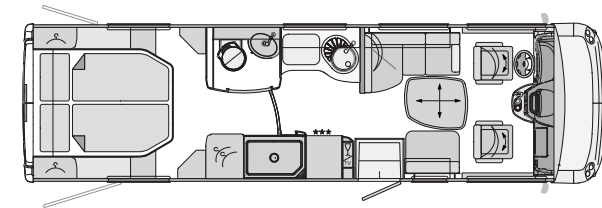
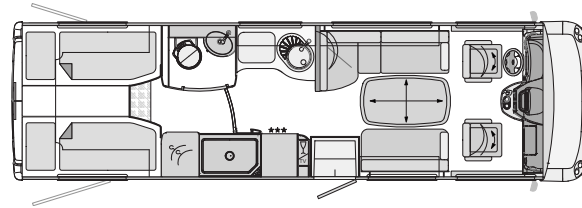
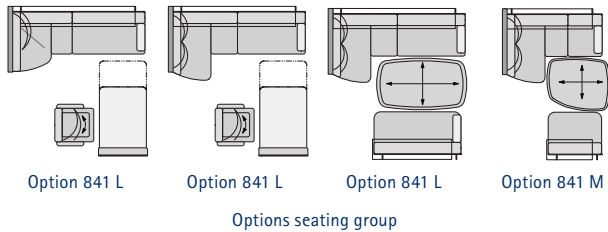
CARVER 791 H

CARVER 791 L

Basic vehicle	Iveco Daily	Iveco Daily
Chassis type	65C17	65C17
Engine	4-cylinder	4-cylinder
Engine displacement	3.0 l	3.0 l
Engine power	125 kW (170 bhp)	125 kW (170 bhp)
Torque	400 Nm	400 Nm
Overall length (mm)	8160	8160
Overall width (mm)	2380	2380
Overall height (mm)	3460	3460
Wheelbase (mm)	4350	4350
Gross vehicle weight ratio (kg)	6500	6500
Mass in running order (kg)	4950	4950
Payload (kg)	1550	1550
Towing capacity braked (kg)	3500	3500
Seats with three point seat belt	3 / 4 / 5	3 / 4
Left seating group (mm)	1985 / 890	1485 / 890
Right seating (mm)	1295 / 640	795 / 640
Rear bed (mm)	2080 / 1480	2 x 2000 / 845
Pull-down bed dimensions (optional, mm)	2000 / 1350	2000 / 1350
Height above pull-down bed (mm)	860	860
Garage door right H / W (mm) clearance dimensions	1250 / 1150	1250 / 1150
Garage door left H / W (mm) clearance dimensions	1250 / 800	1250 / 800

For further information concerning measurements and weight specifications see page 20.

Technical specifications



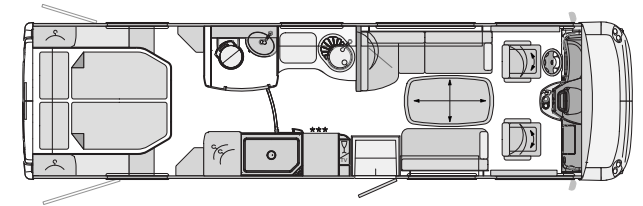
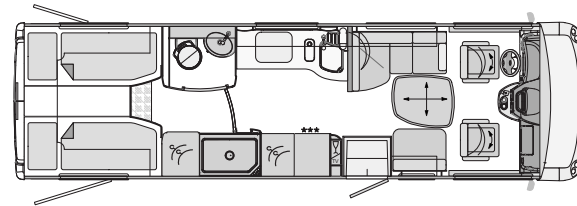
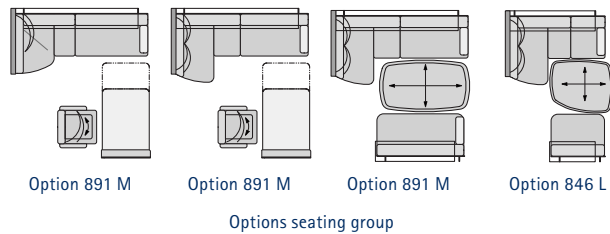
CARVER 841 L

CARVER 841 M

Basic vehicle	Iveco Daily	Iveco Daily
Chassis type	65C17	65C17
Engine	4-cylinder	4-cylinder
Engine displacement	3.0 l	3.0 l
Engine power	125 kW (170 bhp)	125 kW (170 bhp)
Torque	400 Nm	400 Nm
Overall length (mm)	8660	8660
Overall width (mm)	2380	2380
Overall height (mm)	3460	3460
Wheelbase (mm)	4750	4750
Gross vehicle weight ratio (kg)	6500	6500
Mass in running order (kg)	5080	5080
Payload (kg)	1420	1420
Towing capacity braked (kg)	3500	3500
Seats with three point belt	3 / 4 / 5	3 / 4
Left seating group (mm)	1985 / 890	1485 / 890
Right seating (mm)	1295 / 640	795 / 640
Rear bed (mm)	2 x 2000 / 845	2000 / 1570
Pull-down bed dimensions (optional, mm)	2000 / 1350	2000 / 1350
Height above pull-down bed (mm)	860	860
Garage door right H / W (mm) clearance dimensions	1250 / 1150	1250 / 1150
Garage door left H / W (mm) clearance dimensions	1250 / 800	1250 / 800

For further information concerning measurements and weight specifications see page 20.

Technical specifications



CARVER 846 L

CARVER 891 M

Basic vehicle	Iveco Daily	Iveco Daily
Chassis type	65C17	65C17
Engine	4-cylinder	4-cylinder
Engine displacement	3,0 l	3.0 l
Engine power	125 kW (170 bhp)	125 kW (170 bhp)
Torque	400 Nm	400 Nm
Overall length (mm)	8660	9160
Overall width (mm)	2380	2380
Overall height (mm)	3460	3460
Wheelbase (mm)	4750	4900
Gross vehicle weight ratio (kg)	6500	6500
Mass in running order (kg)	5110	5210
Payload (kg)	1390	1290
Towing capacity braked (kg)	3500	3500
Seats with three point belt	3 / 4	3 / 4 / 5
Left seating group (mm)	1485 / 890	1985 / 890
Right seating (mm)	795 / 640	1295 / 640
Rear bed (mm)	2 x 2000 / 845	2000 / 1570
Pull-down bed dimensions (optional, mm)	2000 / 1350	2000 / 1350
Height above pull-down bed (mm)	860	860
Garage door right H / W (mm) clearance dimensions	1250 / 1150	1250 / 1150
Garage door left H / W (mm) clearance dimensions	1250 / 800	1250 / 800

For further information concerning measurements and weight specifications see page 20.

Chassis optional equipment

Artikel no.	CHASSIS IVECO DAILY	ADDITIONAL WEIGHT in kg
706011-15	Chassis packet 65C 6700 kg gross vehicle weight Differential lock for rear axle Original Iveco air suspension on the rear axle with the function of "lifting and lowering" (towable mass 3300 kg)	40
706010-15	Chassis packet 70C 7200 kg gross vehicle weight Differential lock for rear axle Original Iveco air suspension on the rear axle with the function of "lifting and lowering" (towable mass 3500 kg) (only with chassis version 70C)	40
125057-15	Gross vehicle weight 6700 kg (chassis version 65C) (towable mass 3300 Kg)	0
125058-15	Gross vehicle weight 7200 kg (chassis version 70C) (towable mass 3500 Kg)	0
1250156-15	Chassis version Iveco Daily 70C (7000 kg gross vehicle weight)	20
700048-15	Tow bar with towable mass of 3500 kg (Agile 2500 kg only) (only available factory fitted)	29
700041-15	Tow bar with removable ball (towable mass 2500 kg)	33
125050-15	Iveco Daily C21, engine displacement 3.0 l, 151 kW (205 bhp) torque 470 Nm (not an Agile)	0
125024-15	Automatic 6 speed manual transmission Agile incl. hill climb assistance (towable mass 2500 kg)	20
105060-15	ZF automatic transmission (available from January 2015)	10
805000-15	Luxury driver's cab suspension seats, air sprung with lumbar support and heated	35
700094-15	Hydraulic supporting jacks with automatic leveling	100
702235-15	Stainless steel hubcaps	5
702217-15	Alloy wheels 16" front axle with wheel spacer / rear axle hubcaps (spare wheel with steel rim)	-4
703400-15	Concorde steering wheel in leather	1
703411-15	Concorde steering wheel in leather (removable)	2
703401-15	Concorde multi-functional steering wheel in leather with access to radio or optional navigations systems	3
125075-15	Original Iveco air suspension on the rear axle with the function of "lifting and lowering"	25
125172-15	Air suspension in the front and rear axle, 4 channel system with "Auto Level" function (only with alloy wheels)	81
1255041-15	Fuel tank capacity 120 l	35
125060-15	Differential lock for rear axle	15
105080-15	Dual pressure air horn	3

Body optional equipment

Artikel no.	BODY	ADDITIONAL WEIGHT in kg
701310-15	Panoramic laminated windscreen with a metal coating which filters UV rays and reduces solar radiation, heated windscreen	2
7002431-15	Body door "Security Plus" with number combination lock and Interstop (gas pressure absorber)	0
7002432-15	Body door "Security" without number combination lock, remote control instead with Interstop (gas pressure absorber)	0
700389-15	Coach wing mirrors long, with wide-angle, electrically heated and adjustable	16
701586-15	Passenger's side garage flap 1250 x 1150 mm (instead of series door)	6
705200-15	Central locking system for storage space flaps (not side skirt panel flaps and the gas locker door)	5
700136-15	Side wall awning 5.5 m, with manual crank (791 H / L)	54
7001361-15	Side wall awning 5.5 m, with electric motor (791 H / L)	58
700137-15	Side wall awning 6.0 m, with manual crank (841 L, 841 M, 846 L, 891 M)	62
7001371-15	Side wall awning 6.0 m, with electric motor (841 L, 841 M, 846 L, 891 M)	66
700193-15	Electrical sun blind in driver's cab for windscreen	5
700173-15	Thermo insulated windows in cockpit, side windows electrically operated	3

Body optional equipment

Artikel no.	LIVING ROOM / BEDROOM AREA	ADDITIONAL WEIGHT in kg
705130-15 TIN	Bar version (for 791 H, 841 L and 891 M)	46
705125-15 TIN	CL-Lounge (4 people) (for 791 L, 841 M and 846 L)	24
705126-15 TIN	CL-Lounge (4 people) (for 791 H, 841 L and 891 M)	24
705129-15 TIN	CL-Lounge with bar version (5 people) (for 791 H, 841 L and 891 M)	70
704470-15	Rear bed with bed base	6
704506-15 TIN	Pull down bed with mechanical operation, bed base, instead of front wall unit	45
7045061-15 TIN	Pull down bed with electrical operation, bed base, instead of front wall unit	53
700754-15	Midi-Heki instead of Mini-Heki (Bedroom area)	6
7007541-15	Panoramic skylight instead of Midi-Heki (living room)	13
7007542-15	Panoramic skylight instead of Mini-Heki (Bedroom area)	19
7015472-15	Height adjustable table with upholstered chairs (not available with bar version) (for 791 L, 841 M and 846 L)	8
7015471-15	Height adjustable table with upholstered chairs (not available with bar version) (for 791 H, 841 L and 891 M)	8
700191-15	Front privacy screen (adjustable pull-up screen from the bottom upwards)	4
7051...-15	Cabinet fronts in high gloss "Cream white"	0
700521-15	LED-Mood lighting above living room canopy and dashboard	3

KITCHEN

700459-15 MW	Mineral kitchen worktop with seamless integrated sink unit in marble white, stainless steel hob with three gas burners, and glass cover	20
700808-15 TIN	190 l refrigerator instead of 160 l refrigerator	6
700809-15 TIN	190 l refrigerator with gas oven and grill instead of 160 l refrigerator	23
705350-15	Roof ventilator	4

Body optional equipment

Artikel no.	ELECTRICAL	ADDITIONAL WEIGHT in kg
706200-15	Electric power packet 1 1 x gel battery 170 Ah additional (total then 2 batteries) combi-charger 100 A, Sinus inverter from 12 V to 230 V, 4000 W peak and 2000 W continuous power with network compensator	68
706205-15	Electric power packet 2 2 x gel battery 170 Ah additional (total then 3 batteries) combi-charger 100 A, Sinus inverter from 12 V to 230 V, 5000 W peak and 2500 W continuous power with network compensator	125
701200-15	Alarm system with surveillance of the interior, garage flaps as well as the habitation entrance door	3
700853-15	Gas generator 2600 W built in chassis (only in combination with gas tank)	50
700684-15	Double lense reversing camera with integrated colour screen in double din rado unit	4
700720-15	Solar panels with approx. 120 W maximum power	15
700722-15	Solar panels with approx. 2 x 120 W maximum power	30

TV / RADIO / TELEPHONE

	Satellite TV with 85 cm dish, fully automatic tuning, multiple user facilities through TWIN-LNB, Port for second receiver with 12 V / 230 V and antenna socket in sleeping area, sound over radio (total vehicle height plus approx. 100 mm)	
700559-15	Satellite TV set 1 with LED flat screen 24" in entrance area	38
700571-15	Satellite TV set 3 with LED flat screen 24" in wall unit above the windscreen, electronically lowerable (not with pull-down bed)	45
700574-15	Internet satellite TV set with LED flat screen 24" in entrance area, set with TV reception, GPS SKEW and internet access	38
700592-15	Navigations system (with truck software and 7.0" touchscreen, integrated radio with DVD, CD and MP3 playback, Speaker for telephones with Bluetooth) and double reverse camera with shutter	4
7005102-15	Combination 230 V / 12 V / antenna / socket with cable routing in the floor Positioned: in the external storage space on the left next to the entrance door (for optional TV external connection) (satellite signal exit)	1
706316-15	LED flat screen 22" for rear bedroom area with integrated TV tuner (for 791 L, 841 L and 846 L)	15
706315-15	LED flat screen 22" for rear bedroom area with integrated TV tuner (for 841 M and 891 M)	15
700677-15	DVB-T external antenna for reception of terrestrial digital TV signal (for two TV sets)	2
70060....-15 TIN	Sound system with 2 way speaker in driver's cab, 2 wide band speakers in the living space and sub-woofer, sound-processor	25
706346-15	DAB + Digital radio, premium quality sound system with additional added features	3

Body optional equipment

Artikel no.	WATER / GAS / HEATING / BATHROOM	ADDITIONAL WEIGHT in kg
700412-15	External shower in the garage (driver's side)	2
700862-15	Diesel pre heating "Motor Caravan" with comfortable continuous heating function (5200 W) incl. timer switch	10
701890-15	Freshwater tank approx. 320 l (instead of 230 l)	8
701892-15	Fresh and waste water tank, each approx. 320 l (instead of 230 l)	16
700865-15	Dual zoned under floor heating, separately controlled (living room, bathroom)	10
700898-15	Living room gas alarm (carbon monoxide, propane, butane, narcotic gas)	2
700890-15	Gas tank approx 120 l with remote gas switch, crash sensor and level indicator on the control panel display. (located in chassis side)	104
700401-15	External gas socket on the passenger's side (BBQ point)	1
700866-15	Heating loop valve for bedroom area / garage temperature adjustable	7
700830-15	Roof air conditioning 2400 W with heating element 1700 W (additional vehicle height of 130 mm)	34
701821-15 TIN	Porcelain toilet with approx. 230 l waste tank	28
701800-15	Additional toilet cassette with storage cradle	3
7018111-15	SOG toilet ventilation over the roof (for cassette toilet only)	1
710411-15	Engine heat exchanger (which uses the motor's cooling water to heat the living area)	5

Body optional equipment

Artikel no.	UPHOLSTERY / LEATHER / CARPET	ADDITIONAL WEIGHT in kg
809180-15	Textile / microfibre upholstery "Cream"	Series 0
809181-15	Textile / microfibre upholstery "Caramel"	Series 0
809145-15	Leather upholstery "Mother of Pearl"	25
809146-15	Leather upholstery "Savanna"	25
809147-15	Leather upholstery "Stone"	25
809148-15	Exclusive leather upholstery "Rustic Grey" (Natural material with visual inclusions and different surface optics possible)	25
870100-15	Upholstery Textile / microfibre with "Redonda" foam-optic	0
870000-15	Upholstery leather with "Redonda" foam-optic	0
860000-15	Concorde Collection (2 x small pillows, 1 x big pillow, 2 x blankets)	8
7001553C-15	Removable living carpet. Colour: cream	10
7001553G-15	Removable living carpet. Colour: grey brown	10

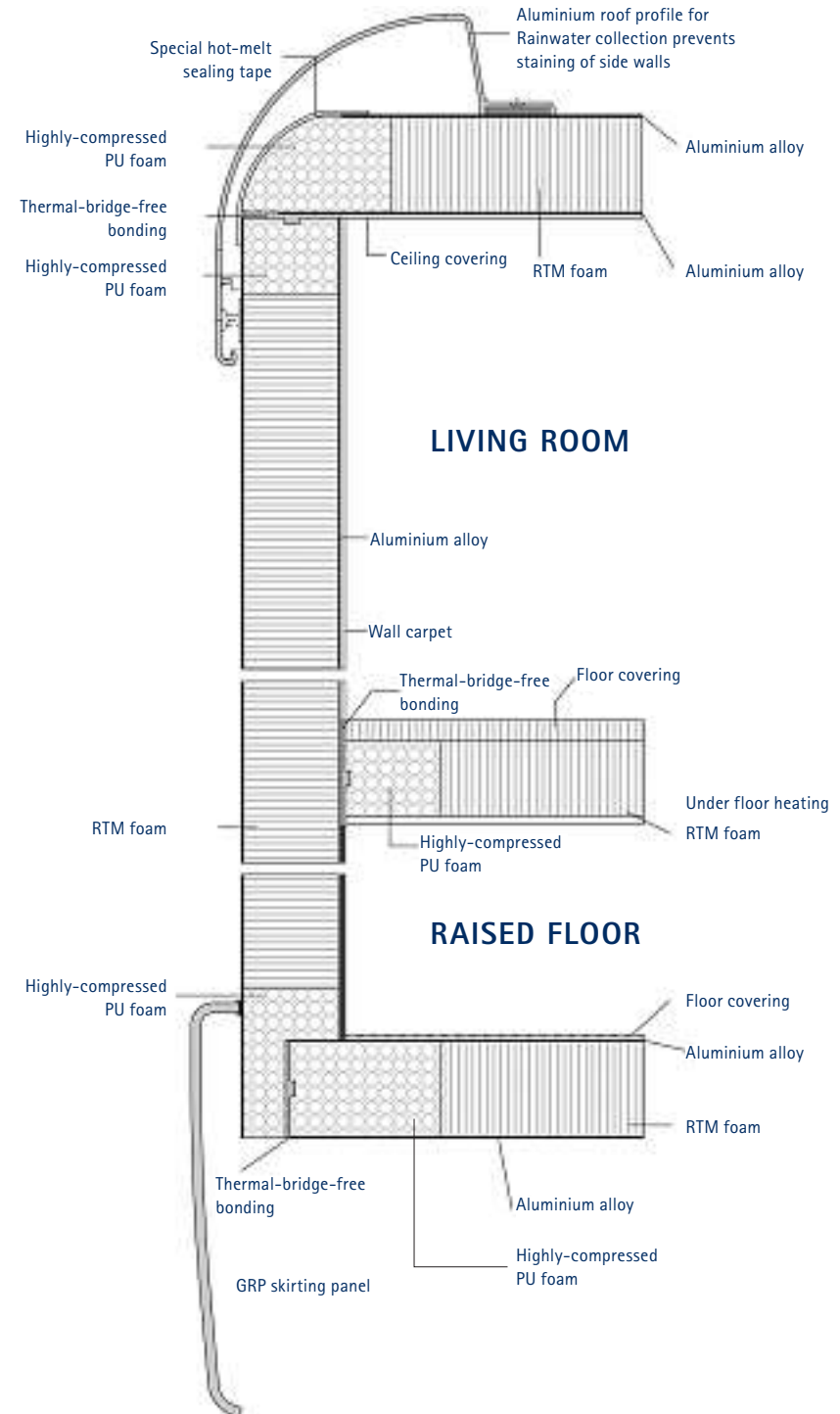
Concorde exclusively uses high-quality fabric and leather with a special stain resistance coating.

The mass in running order consists of: driver (75 kg), full fuel tank, 100 l fresh water in driving position, 1 x full 11 kg steel gas bottle, tool kit and spare wheel. Installing optional extras and accessories may alter the unladen weight and dimensions. All dimensions and weights correspond to the information available at the time of printing. Deviations of +/- 5% are possible and permitted.

Sectional drawing

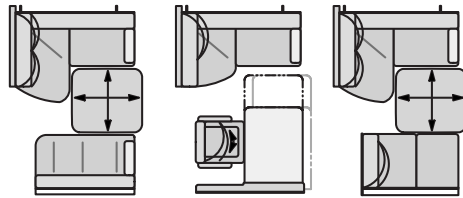
THE CABIN CONSTRUCTION OF CONCORDE CARVER

In motorhome construction, Concorde stands for perfect insulation and outstanding stability. This is primarily down to the lack of thermal loss, completely sealed solid-therm cabin construction with polyurethane ridged foam ledges as well as the insulation of the side walls with 38 millimeter strong RTM foam. If that was not enough, the under and in-between floors are finished in a sandwich type construction and filled with a total of 70 millimeters of insulation. The side skirting panels, bumpers as well as the front mask and rear panel are made from highly stable and nonetheless elastic fiberglass composite material. The very glossy and flush wall surfaces made from aluminium sandwich construction. Aluminium roof profile ledges with rainwater drainage channels to reduce sidewall staining. 10-year water ingress warranty on the body against ingress from the outside (subject to annual inspection in accordance with the Concorde warranty conditions).



Technical specifications

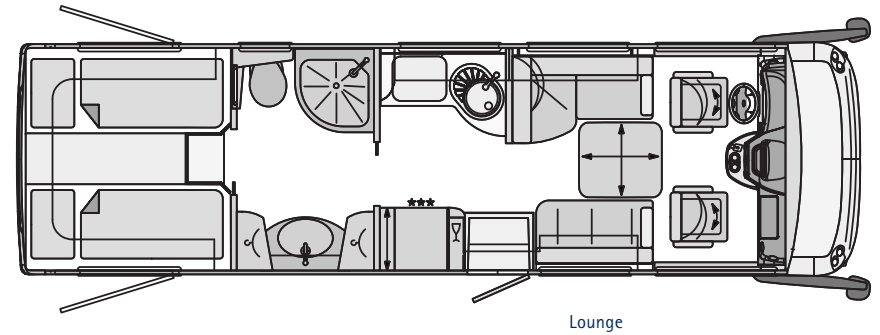
CHARISMA 850 L



CL Lounge

Bar Version

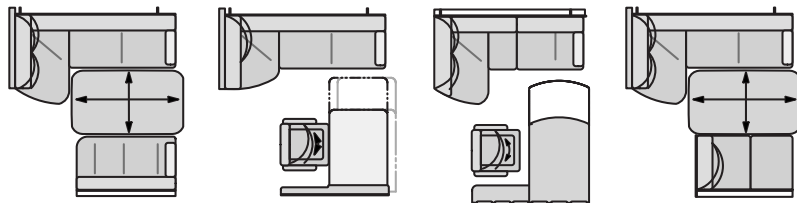
CL Lounge with
5th seat



Basic vehicle	Iveco Daily	Iveco Eurocargo	MAN TGL	MB Atego
Chassis type	70C17	75E19	8.220	923 L
Engine	4-cylinder	4-cylinder	4-cylinder	4-cylinder
Engine displacement	3.0 l	4,5 l	4.6 l	5,1 l
Engine power	125 kW (170 bhp)	137 kW (186 bhp)	162 kW (220 bhp)	170 kW (231 bhp)
Torque	400 Nm	680 Nm	850 Nm	900 nm
Overall length (mm)	8590	8750	8750	8750
Overall width (mm)	2400	2400	2400	2400
Overall height (mm)	3460	3440	3550	3590
Wheelbase (mm)	4750	4185	4200	4220
Gross vehicle weight (kg)	7000	7490	8800	9500
Mass in running order (kg)	5550	6500	6660	7170
Payload (kg)	1450	990	2140	2330
Towing capacity braked (kg)	3500	3500	3500	3500
Seats with three point belt in lounge / CL Lounge / bar version / CL + 5th seat	3 / 4 / 4 / 5	3 / 4 / 4 / 5	3 / 4 / 4 / 5	3 / 4 / 4 / 5
Left seating group (mm)	1450 / 890	1450 / 890	1450 / 890	1450 / 890
Right seating (mm)	1170 / 650	1170 / 650	1170 / 650	1170 / 650
Rear bed (mm)	2 x 2000 / 845	2 x 2000 / 845	2 x 2000 / 845	2 x 2000 / 845
Pull-down bed dimensions (optional, mm)	2000 / 1350	2000 / 1350	2000 / 1350	2000 / 1350
Height above pull-down bed (mm)	860	860	860	860
Garage door right H / W (mm) clearance dimensions	1250 / 1150	1250 / 1150	1250 / 1150	1250 / 1150
Garage door left H / W (mm) clearance dimensions	1250 / 1150	1250 / 1150	1250 / 1150	1250 / 1150

For further information concerning measurements and weight specifications see page 34.

CHARISMA 900 L

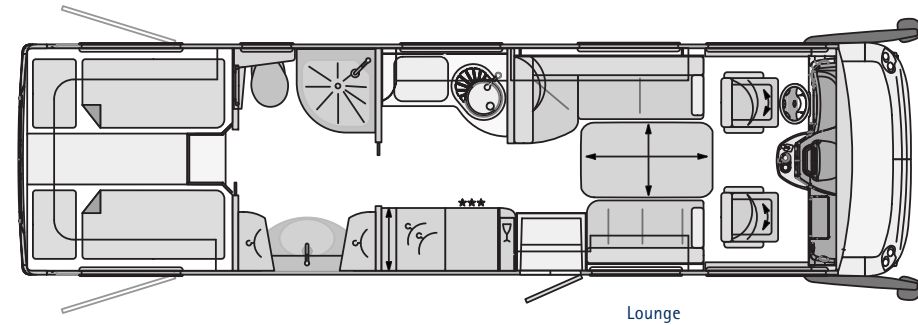


CL Lounge

Bar Version

Bar version with
CL Lounge

CL Lounge with
5th seat



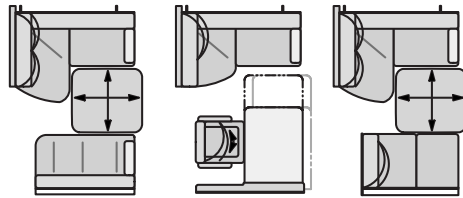
Lounge

Basic vehicle	Iveco Daily	Iveco Eurocargo	MAN TGL	MB Atego
Chassis type	70C17	75E19	8.220	923 L
Engine	4-cylinder	4-cylinder	4-cylinder	4-cylinder
Engine displacement	3.0 l	4,5 l	4.6 l	5,1 l
Engine power	125 kW (170 bhp)	137 kW (186 bhp)	162 kW (220 bhp)	170 kW (231 bhp)
Torque	400 Nm	680 Nm	850 Nm	900 nm
Overall length (mm)	9090	9250	9250	9250
Overall width (mm)	2400	2400	2400	2400
Overall height (mm)	3460	3440	3550	3590
Wheelbase (mm)	4900	4455	4500	4520
Gross vehicle weight (kg)	7000	7490	8800	9500
Mass in running order (kg)	5690	6640	6800	7310
Payload (kg)	1320	850	2000	2190
Towing capacity braked (kg)	3500	3500	3500	3500
Seats with three point belt in lounge / CL Lounge / bar version / CL + 5th seat	3 / 4 / 4 / 5	3 / 4 / 4 / 5	3 / 4 / 4 / 5	3 / 4 / 4 / 5
Left seating group (mm)	1950 / 890	1950 / 890	1950 / 890	1950 / 890
Right seating (mm)	1170 / 650	1170 / 650	1170 / 650	1170 / 650
Rear bed (mm)	2 x 2000 / 845	2 x 2000 / 845	2 x 2000 / 845	2 x 2000 / 845
Pull-down bed dimensions (optional, mm)	2000 / 1350	2000 / 1350	2000 / 1350	2000 / 1350
Height above pull-down bed (mm)	860	860	860	860
Garage door right H / W (mm) clearance dimensions	1250 / 1150	1250 / 1150	1250 / 1150	1250 / 1150
Garage door left H / W (mm) clearance dimensions	1250 / 1150	1250 / 1150	1250 / 1150	1250 / 1150

For further information concerning measurements and weight specifications see page 34.

Technical specifications

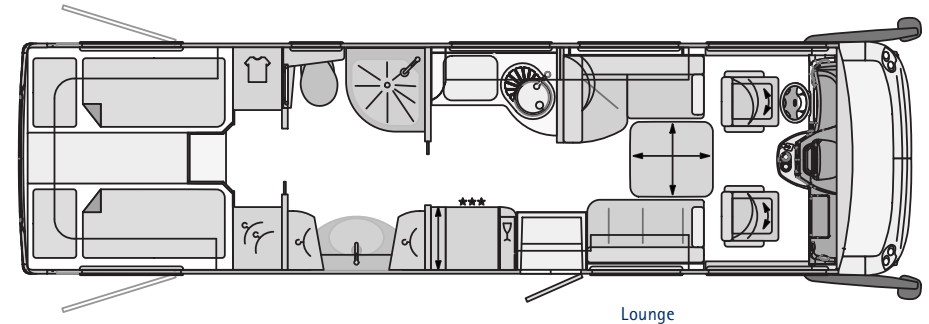
CHARISMA 900 LS



CL Lounge

Bar Version

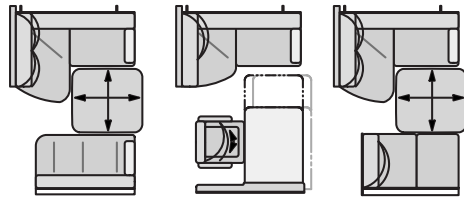
CL Lounge with
5th seat



Basic vehicle	Iveco Daily	Iveco Eurocargo	MAN TGL	MB Atego
Chassis type	70C17	75E19	8.220	923 L
Engine	4-cylinder	4-cylinder	4-cylinder	4-cylinder
Engine displacement	3.0 l	4,5 l	4.6 l	5,1 l
Engine power	125 kW (170 bhp)	137 kW (186 bhp)	162 kW (220 bhp)	170 kW (231 bhp)
Torque	400 Nm	680 Nm	850 Nm	900 nm
Overall length (mm)	9090	9250	9250	9250
Overall width (mm)	2400	2400	2400	2400
Overall height (mm)	3460	3440	3550	3590
Wheelbase (mm)	4900	4455	4500	4520
Gross vehicle weight (kg)	7000	7490	8800	9500
Mass in running order (kg)	5690	6640	6800	7310
Payload (kg)	1310	850	2000	2190
Towing capacity braked (kg)	3500	3500	3500	3500
Seats with three point belt in lounge / CL Lounge / bar version / CL + 5th seat	3 / 4 / 4 / 5	3 / 4 / 4 / 5	3 / 4 / 4 / 5	3 / 4 / 4 / 5
Left seating group (mm)	1450 / 890	1450 / 890	1450 / 890	1450 / 890
Right seating (mm)	1170 / 650	1170 / 650	1170 / 650	1170 / 650
Rear bed (mm)	2 x 2000 / 845	2 x 2000 / 845	2 x 2000 / 845	2 x 2000 / 845
Pull-down bed dimensions (optional, mm)	2000 / 1350	2000 / 1350	2000 / 1350	2000 / 1350
Height above pull-down bed (mm)	860	860	860	860
Garage door right H / W (mm) clearance dimensions	1250 / 1150	1250 / 1150	1250 / 1150	1250 / 1150
Garage door left H / W (mm) clearance dimensions	1250 / 1150	1250 / 1150	1250 / 1150	1250 / 1150

For further information concerning measurements and weight specifications see page 34.

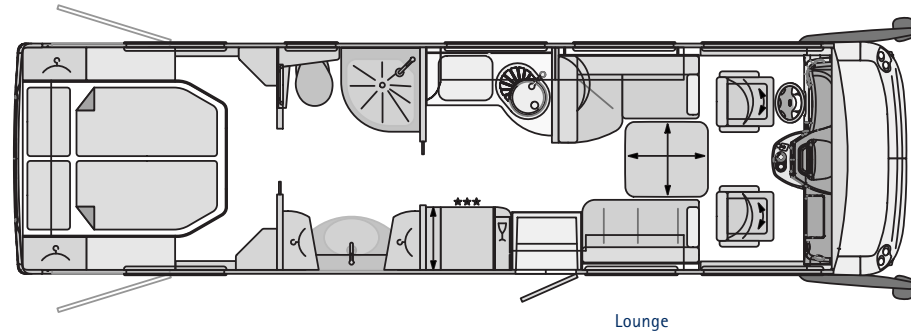
CHARISMA 900 M



CL Lounge

Bar Version

CL Lounge with
5th seat



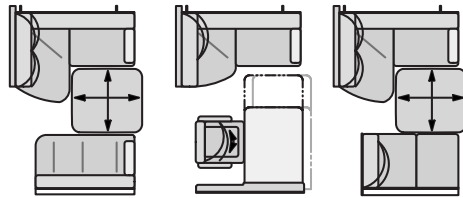
Lounge

Basic vehicle	Iveco Daily	Iveco Eurocargo	MAN TGL	MB Atego
Chassis type	70C17	75E19	8.220	923 L
Engine	4-cylinder	4-cylinder	4-cylinder	4-cylinder
Engine displacement	3.0 l	4,5 l	4.6 l	5,1 l
Engine power	125 kW (170 bhp)	137 kW (186 bhp)	162 kW (220 bhp)	170 kW (231 bhp)
Torque	400 Nm	680 Nm	850 Nm	900 Nm
Overall length (mm)	9090	9250	9250	9250
Overall width (mm)	2400	2400	2400	2400
Overall height (mm)	3460	3440	3550	3590
Wheelbase (mm)	4900	4455	4500	4520
Gross vehicle weight (kg)	7000	7490	8800	9500
Mass in running order (kg)	5690	6640	6800	7310
Payload (kg)	1310	850	2000	2190
Towing capacity braked (kg)	3500	3500	3500	3500
Seats with three point belt in lounge / CL Lounge / bar version / CL + 5th seat	3 / 4 / 4 / 5	3 / 4 / 4 / 5	3 / 4 / 4 / 5	3 / 4 / 4 / 5
Left seating group (mm)	1450 / 890	1450 / 890	1450 / 890	1450 / 890
Right seating (mm)	1170 / 650	1170 / 650	1170 / 650	1170 / 650
Rear bed (mm)	2000 / 1570	2000 / 1570	2000 / 1570	2000 / 1570
Pull-down bed dimensions (optional, mm)	2000 / 1350	2000 / 1350	2000 / 1350	2000 / 1350
Height above pull-down bed (mm)	860	860	860	860
Garage door right H / W (mm) clearance dimensions	1250 / 1150	1250 / 1150	1250 / 1150	1250 / 1150
Garage door left H / W (mm) clearance dimensions	1250 / 1150	1250 / 1150	1250 / 1150	1250 / 1150

For further information concerning measurements and weight specifications see page 34.

Technical specifications

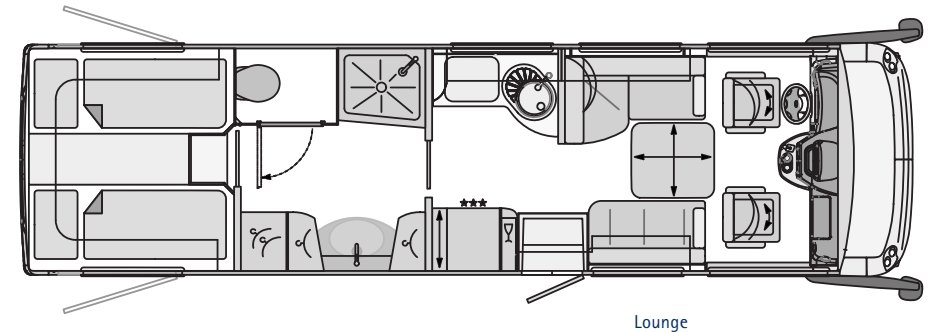
CHARISMA 905 L



CL Lounge

Bar Version

CL Lounge with
5th seat

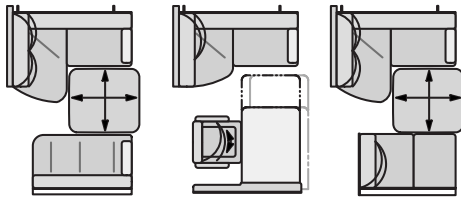


Lounge

Basic vehicle	Iveco Daily	Iveco Eurocargo	MAN TGL	MB Atego
Chassis type	70C17	75E19	8.220	923 L
Engine	4-cylinder	4-cylinder	4-cylinder	4-cylinder
Engine displacement	3.0 l	4,5 l	4.6 l	5,1 l
Engine power	125 kW (170 bhp)	137 kW (186 bhp)	162 kW (220 bhp)	170 kW (231 bhp)
Torque	400 Nm	680 Nm	850 Nm	900 Nm
Overall length (mm)	9090	9250	9250	9250
Overall width (mm)	2400	2400	2400	2400
Overall height (mm)	3460	3440	3550	3590
Wheelbase (mm)	4900	4455	4500	4520
Gross vehicle weight (kg)	7000	7490	8800	9500
Mass in running order (kg)	5690	6640	6800	7310
Payload (kg)	1310	850	2000	2190
Towing capacity braked (kg)	3500	3500	3500	3500
Seats with three point belt in lounge / CL Lounge / bar version / CL + 5th seat	3 / 4 / 4 / 5	3 / 4 / 4 / 5	3 / 4 / 4 / 5	3 / 4 / 4 / 5
Left seating group (mm)	1450 / 890	1450 / 890	1450 / 890	1450 / 890
Right seating (mm)	1170 / 650	1170 / 650	1170 / 650	1170 / 650
Rear bed (mm)	2 x 2000 / 845	2 x 2000 / 845	2 x 2000 / 845	2 x 2000 / 845
Pull-down bed dimensions (optional, mm)	2000 / 1350	2000 / 1350	2000 / 1350	2000 / 1350
Height above pull-down bed (mm)	860	860	860	860
Garage door right H / W (mm) clearance dimensions	1250 / 1150	1250 / 1150	1250 / 1150	1250 / 1150
Garage door left H / W (mm) clearance dimensions	1250 / 1150	1250 / 1150	1250 / 1150	1250 / 1150

For further information concerning measurements and weight specifications see page 34.

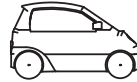
CHARISMA 920 G



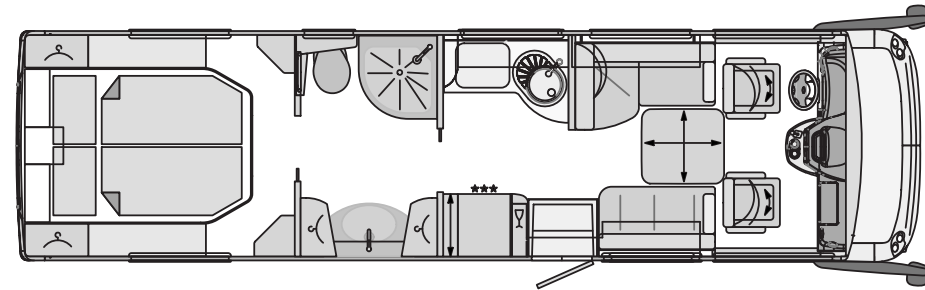
CL Lounge

Bar Version

CL Lounge with
5th seat



Smart garage



Lounge

Basic vehicle	Iveco Daily
Chassis type	70C17
Engine	4-cylinder
Engine displacement	3.0 l
Engine power	125 kW (170 bhp)
Torque	400 Nm
Overall length (mm)	9230
Overall width (mm)	2400
Overall height (mm)	3460
Wheelbase (mm)	5000
Gross vehicle weight (kg)	7490
Mass in running order (kg)	5820
Payload (kg)	1670
Towable load braked (kg)	2500
Seats with 3 point seat belt in lounge / CL lounge / bar version / CL + 5th seat	3 / 4 / 4 / 5
Left seating group (mm)	1450 / 890
Right seating (mm)	1170 / 650
Rear bed (mm)	2000 / 1570
Pull-down bed dimensions (optional, mm)	2000 / 1350
Height above pull-down bed (mm)	860
Rear flap H / W (mm) clearance dimensions	1500 / 1650

For further information concerning measurements and weight specifications see page 34.

Chassis optional equipment

Artikel no.	CHASSIS IVECO DAILY	ADDITIONAL WEIGHT in kg
706004-15	Chassis packet (not for 920 G) 7200 kg gross vehicle weight (front axle 2700 kg, rear axle 5350 kg) Differential lock for rear axle Original Iveco air suspension on the rear axle with the function of "lifting and lowering"	40
1250581-15	7200 kg gross vehicle weight	0
700048-15	Tow bar with towable mass 3500 kg (Agile 2500 kg only) (only available with factory installation)	29
700041-15	Tow bar with removable ball (max. towable load 2500 kg)	33
702235-15	Stainless steel hubcaps	5
125024-15	Automatic 6 speed manual transmission Agile incl. hill climb assistance (towable mass 2500 kg)	20
105060-15	ZF automatic transmission (available from January 2015)	10
125050-15	Iveco Daily C21, engine displacement 3.0 l, 151 kW (205 HP), torque 470 Nm (not available with Agile)	0
706021-15	Bi-LED headlamps in the front, fog lights and cornering lights integrated under the bumper incl. daytime running lights LED	5
125060-15	Differential lock for rear axle	15
806000-15	Luxury driver's cab suspension seats, air sprung with lumbar support and heated seats	35
700094-15	Hydraulic support jacks with automatic leveling (not for 920 G)	100
700095-15	Hydraulic support jacks with automatic leveling (for 920 G)	100
702217-15	Light alloy wheels 16" on the front axle with wheel spacer and front axle load of 2600 kg Plastic rear axle hubcaps (spare wheel with steel rim)	-4
702213-15	Light alloy wheels 16" front axle with wheel spacer and increased front axle load of 2700 kg, Aluminium hubcaps on the rear axle (spare wheel with steel rim)	-4
7060371-15	Concorde steering wheel in leather	1
703411-15	Concorde steering wheel in leather removable	2
7060372-15	Concorde multi-functional steering wheel in leather with controls for Radio or optional navigations systems	3
125075-15	Original Iveco air suspension on the rear axle with the function of "lifting and lowering" (Standard for 920 G)	25
125178-15	Air suspension in the front and rear axle, 4 channel system with "Auto Level" function (only with alloy wheels 16") (only for 920 G)	56
125174-15	Air suspension in the front and rear axle, 4 channel system with "Auto Level" function (only with alloy wheels 16")	81
1255041-15	Fuel tank capacity 120 l (not for 920 G)	35
105080-15	Dual pressure air horn	3

Chassis optional equipment

Artikel no.	CHASSIS IVECO EUROCARGO	ADDITIONAL WEIGHT in kg
700511-15	Tow bar with towable mass 3500 kg (only available factory fitting)	29
700041-15	Tow bar with removable ball head (max. towable mass 2500 kg)	33
706025-15	Bi-LED headlamps in the front, fog lights with cornering lights integrated under the bumper incl. daytime running lights LED	5
126005-15	Differential lock for rear axle	15
806050-15	Luxury driver's cab suspension seats, air sprung with lumbar support and heated seats	35
700097-15	Hydraulic supports jacks with automatic leveling	139
703406-15	Concorde steering wheel in leather	1
7060375-15	Concorde multi-functional steering wheel in leather with access to radio or optional navigations systems	3
126002-15	Automatic 6-speed transmission Eurotronic	15
125047-15	Engine variant 75E21 (4 cylinder, 4,6 l, 154 kW (210 bhp), 750 Nm, towable mass 3500 kg)	73
706053-15	Chassis variant 9000 kg 90E25 (6 cylinder, 6.7 l, 184/250 kW/bhp, 850 Nm, towable mass 3500 kg) Air suspension on the front axle	430
105080-15	Dual pressure air Horn	3

CHASSIS MAN TGL

700511-15	Tow bar with towable mass 3500 kg (only available factory fitting)	29
700041-15	Tow bar with removable ball head (max. towable mass 2500 kg)	33
706025-15	Bi-LED headlamps in the front, fog lights with lights integrated under the bumper incl. daytime running lights LED	5
146018-15	Differential lock for rear axle	15
806050-15	Luxury driver's cab suspension seats, air sprung with lumbar support and heated seats	35
700097-15	Hydraulic support jacks with automatic leveling	139
703409-15	Concorde steering wheel in leather	1
7060376-15	Concorde multi-functional steering wheel in leather with access to radio or optional navigations systems	3
7005011-15	Alloy wheels 17.5" with standard tyres	-56
709213-15	Engine variant 8.250 (6 cylinder, 6.9 l, 184 kW (250 bhp), 1000 Nm)	435
105080-15	Dual pressure air horn	3

Chassis optional equipment

Artikel no.	CHASSIS MB ATEGO	ADDITIONAL WEIGHT in kg
700511-15	Tow bar with towable mass 3500 kg (only available factory fitting)	29
700041-15	Tow bar with removable ball (max. towable mass 2500 kg)	33
706021-15	Bi-LED headlamps in the front, fog lights with bending lights integrated under the bumper incl. daytime running lights LED	5
1460181-15	Differential lock for rear axle	15
806050-15	Luxury driver's cab suspension seats, air sprung with lumbar support and heated seats	35
700097-15	Hydraulic support jacks with automatic leveling	139
703405-15	Original leather steering wheel with real chrome look	3
703425-15	Original leather steering wheel with real wood look	3
7005016-15	Alloy wheels 17.5" "Alcoa Dura Bright" with series tyres (spare wheel steel rim)	-56
145051-15	"High Performance" engine break	0
105080-15	Dual pressure air horn	3

Body optional equipment

Artikel no.	BODY	ADDITIONAL WEIGHT in kg
700136-15	Side wall awning 5.5 m with manual crank (850 L)	54
7001361-15	Side wall awning 5.5 m electric motor (850 L)	58
700137-15	Side wall awning 6.0 m with manual crank (900 L, 900 LS, 900 M, 905 L and 920 G)	62
7001371-15	Side wall awning 6.0 m electric motor (900 L, 900 LS, 900 M, 905 L and 920 G)	66
706227-15	Central locking system for storage space flaps (not side skirt panel flaps and the gas locker door)	5
706095-15	Body door "Security Plus" without number combination lock, remote control Interstop (gas pressure absorbers) instead of standard door	0
700193-15	Electrical sunblind in driver's cab for the windscreen	5
700174-15	Thermo insulated windows in cockpit, side windows electrically operated	3

LIVING ROOM / BEDROOM AREA

7061....-15 WEN	CL-Lounge (4 people)	24
7061....-15 WEN	CL lounge with additional seatbelt place on the side sofa (5 people) (window on the side sofa 800 x 450 mm)	55
7061....-15 WEN	Bar version with adjustable single seat and multi function bench (includes 4 person allowance)	46
7061....-15 WEN	Bar version with adjustable single seat and CL lounge (includes 5 person allowance) (only 900 L)	70
706110-15	Pull down bed with electrical operation, individual bed supports, (instead of front wall units)	62
706118-15	Front privacy screen (adjustable pull-up screen from the bottom upwards)	4
706120-15 WEN	Sliding doors between bathroom / kitchen / bedroom area with wood decor instead of cream-white	0
706090-15	Midi-Heki instead of Mini-Heki (bedroom area)	6
706092-15	Panoramic sky light instead of Mini-Heki (bedroom area)	19
706123-15	Adjustable central table leg (not in bar version)	35
706122-15	Lowerable table with upholstered cushion for extra bed in lounge (not available with bar version)	8
7061....-15	Cabinet fronts in high gloss "Cream white"	0

Body optional equipment

Artikel no.	KITCHEN	ADDITIONAL WEIGHT in kg
706148-15 MW	Mineral kitchen worktop with seamless integrated sink unit in marble white, stainless steel hob unit with three gas burners, and glass cover	20
706160-15 WEN	190 l refrigerator instead of 160 l refrigerator	6
706165-15 WEN	190 l refrigerator with gas oven and grill instead of 160 l refrigerator	23
706170-15 WEN	Stainless steel microwave with grill function beneath the hob, 230 V powered with 17 l capacity (not available with dishwasher)	22
706175-15 WEN	Dishwasher under the hob (not available with stainless steel microwave)	25
705350-15	Roof fan with ventilation function	4

ELECTRICAL

706200-15	Electric power packet 1 1 x Gel battery 170 Ah additional (total then 2 batteries) combi-charger 100 A with network strength code Sinus inverter 12 V from 230 V, 4000 W peak class and 2000 W continuous power with lack of network compensator (not for 920 G)	68
706205-15	Electric power packet 2 2 x Gel battery 170 Ah additional (total then 3 batteries) combi-charger 100 A, Sinus inverter from 12 V to 230 V, 5000 W peak class and 2500 W continuous power with lack of network compensator (not for 920 G)	125
701200-15	Alarm system with surveillance of the interior, the garage flaps and the living room door	3
700853-15	Gas generator 2600 W fitted in chassis (only with gas tank)	50
700684-15	Double lense reversing camera with integrated colour screen in double din radio unit	4
700720-15	Solar collector with approx. 120 W maximum power	15
700722-15	Solar collector with approx. 2 x 120 W maximum power	30
706238-15	Additional camera on the wing mirror, on the passenger's side (monitor in standard radio)	1

Body optional equipment

Artikel no.	TV / RADIO / TELEPHONE	ADDITIONAL WEIGHT in kg
	Satellite TV set with 85 cm dish, fully automatic tuning, multiple user facilities through TWIN-LNB, port for the second receiver with 12 V / 230 V and antenna socket in bedroom area, sound through radio (vehicle height plus approx 120 mm)	
706301-15 WEN	Satellite TV set 1 with LED flat screen 24" in entrance area	38
706300-15 WEN	Satellite TV set 2 with LED flat screen 24" on right side in the wall unit, electrically lowerable	45
706305-15 WEN	Satellite TV set 3 with LED flat screen 24" in wall unit above the windscreen, electrically lowerable (not with pull down bed)	45
706310-15	Internet satellite TV set with LED flat screen 24" in the entrance area, set with TV reception, GPS SKEW and internet access	38
706320-15	Combination 230 V / 12 V / antenna / socket with cable routing in the floor. Positioned: in the external storage space on the left next to the entrance door (for optional TV external connection) (satellite signal output)	1
706330-15	Navigation system (with truck software and touchscreen 7.0", integrated radio with DVD, CD and MP3 playback, speaker for telephones with Bluetooth) and double reverse camera with shutter	4
706316-15	LED flat screen 22" for rear bedroom area with integrated TV tuner (for 850 L, 900 L, 900 LS and 905L)	15
706315-15	LED flat screen 22" for rear bedroom area with integrated TV tuner (for 900 M and 920 G)	15
706345-15	DVB-T external antenna for reception of terrestrial digital TV signal (for two TV sets)	2
706332-15	Sound system with 3-way speaker in driver's cab, vehicle specific audio crossover, 2 wide band speakers in the living space, double bass reflex sub-woofer, sound-processor	25
706346-15	DAB + Digital radio, premium quality sound system with additional features	3

WATER / GAS / HEATING / BATHROOM

706400-15	External shower in the garage (driver's side)	2
706410-15	Diesel pre heating "Motor Caravan" with comfortable continuous heating function (5200 W) incl. timer switch	10
700898-15	Gas alarm for living room (carbon monoxide, propane, butane, narcotic gas)	2
706435-15	Gas tank 120 l with remote gas switch, crash sensor and level indicator on the control panel display (not for 920 G)	104
700401-15	External gas socket on the passenger's side (BBQ point)	1
706450-15	Roof air conditioning 2400 W with heating element 1700 W (vehicle total height plus 120 mm)	34
706490-15 WEN	Bathroom lower cupboard doors in real wood veneer, instead of cream-white	0
7018111-15	SOG-up toilet ventilation over the roof with fixed tank (extracted direct on toilet bowl)	1

Body optional equipment

Artikel no.	UPHOLSTERY / LEATHER / CARPET	ADDITIONAL WEIGHT in kg
809250-15	Textile / microfibre upholstery "Cream", ribbed optic	Series 0
809251-15	Textile / microfibre upholstery "Caramel", ribbed optic	Series 0
809234-15	Leather upholstery "Mother of Pearl", ribbed optic	25
809235-15	Leather upholstery "Savanna", ribbed optic	25
809236-15	Leather upholstery "Stone", ribbed optic	25
809213-15	Exclusive leather upholstery "Rustic Grey" (Natural material with visual inclusions and different surface optics possible)	25
870100-15	Upholstery textile / microfibre with "Redonda" foam-optic	0
870000-15	Upholstery leather with "Redonda" foam-optic	0
860000-15	Concorde Collection (2 x small pillows, 1 x big pillow, 2 x blankets)	8
700112-15	Commercial floor covering soft walk. Colour: "Yacht" effect	0
7001553C-15	Removable living space carpet. Colour: cream	10
7001553G-15	Removable living space carpet. Colour: grey brown	10

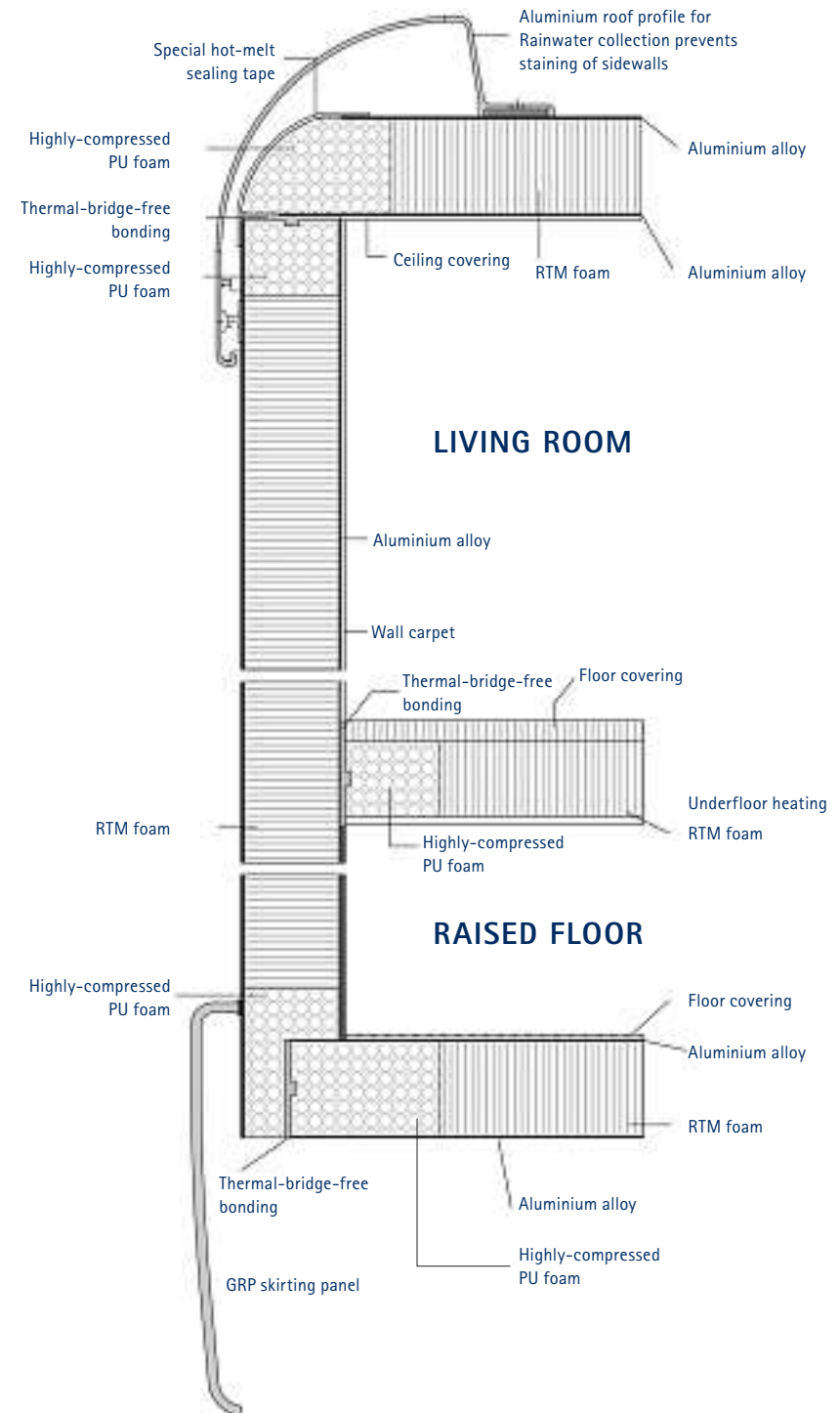
Concorde exclusively uses high-quality fabric and leather with a special stain resistance coating.

The mass in running order consists of: driver (75 kg), full fuel tank, 100 l fresh water in driving position, 1 x full 11 kg steel gas bottle, tool kit and spare wheel. Installing optional extras and accessories may alter the unladen weight and dimensions. All dimensions and weights correspond to the information available at the time of printing. Deviations of +/- 5 % are possible and permitted.

Sectional drawing

THE CABIN CONSTRUCTION OF CONCORDE CHARISMA

In motorhome construction, Concorde stands for perfect insulation and outstanding stability. This is primarily down to the lack of thermal loss, completely sealed solid-therm cabin construction with polyurethane ridged foam ledges as well as the insulation of the side walls with 38 millimeter strong RTM foam. If that was not enough, the under and in-between floors are finished in a sandwich type construction and filled with a total of 70 millimeters of insulation. The side skirting panels, bumpers as well as the front mask and rear panel are made from highly stable and nonetheless elastic fiberglass composite material. The very glossy and flush wall surfaces made from aluminium sandwich construction. Aluminium roof profile ledges with rainwater drainage channels to reduce sidewall staining. 10-year water ingress warranty on the body against ingress from the outside (subject to annual inspection in accordance with the Concorde warranty conditions).



Technical modifications reserved provided that the overall product quality remains the same or is improved and the intended purpose is not impaired. On publication of this Technical information, all previous are rendered invalid. Subject to change without notice, errors and omissions excepted.

Concorde

REISEMOBILE AUS LEIDENSCHAFT

Concorde Reisemobile GmbH
Concorde-Straße 2-4, D-96132 Schlüsselfeld-Aschbach
Tel.: +49 (0) 9555 9225-0, Fax: +49 (0) 9555 9225-44
Web: www.concorde.eu, E-Mail: info@concorde.eu